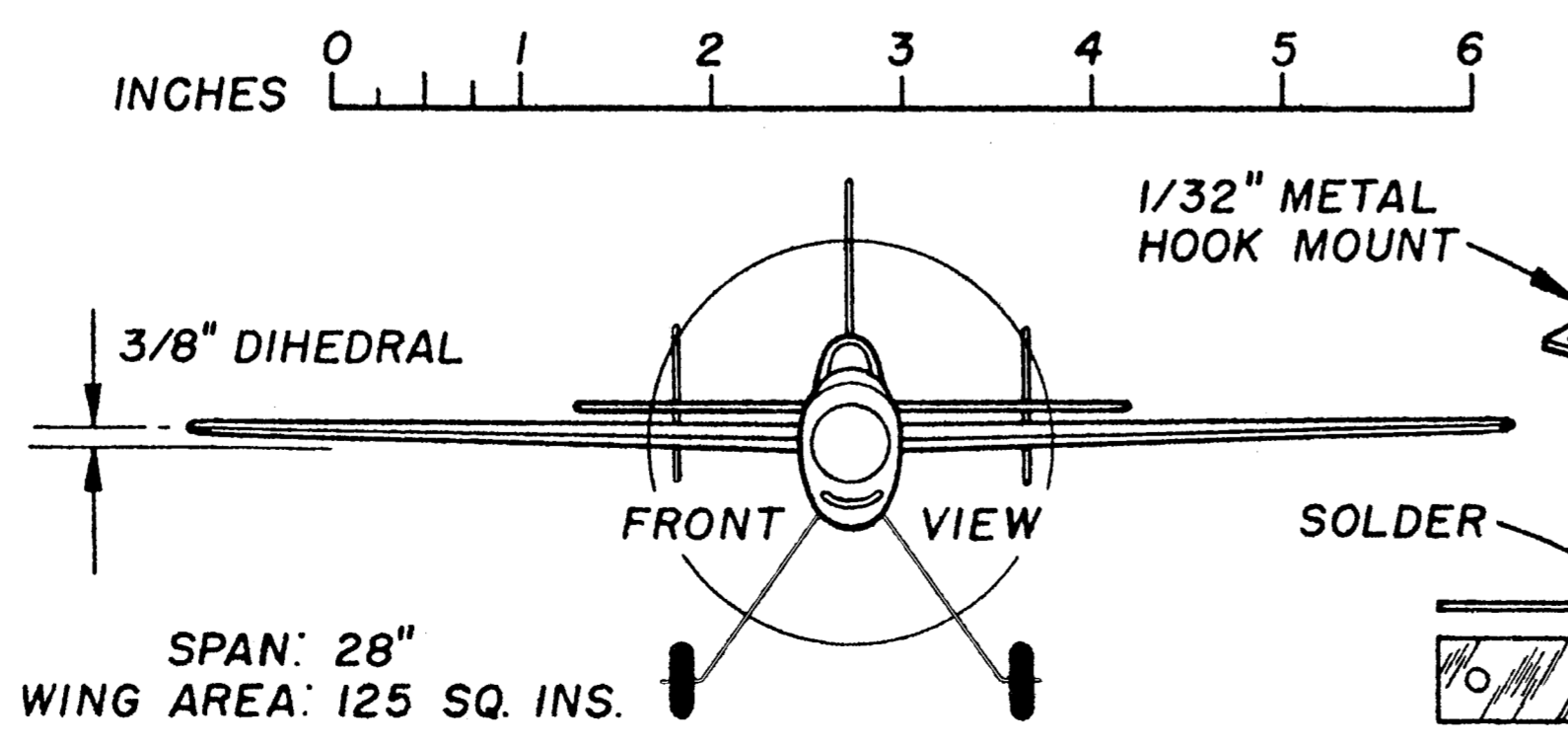
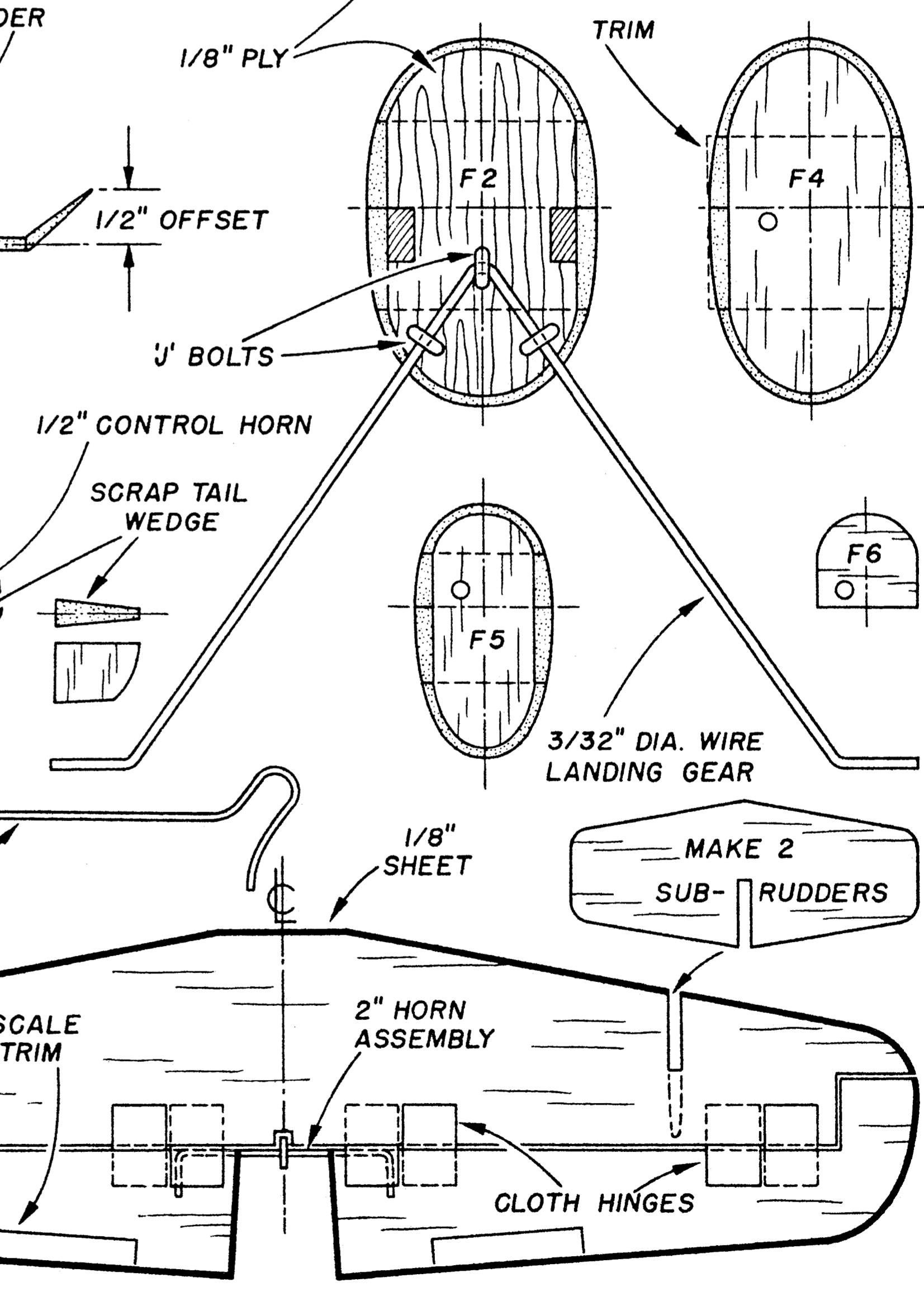
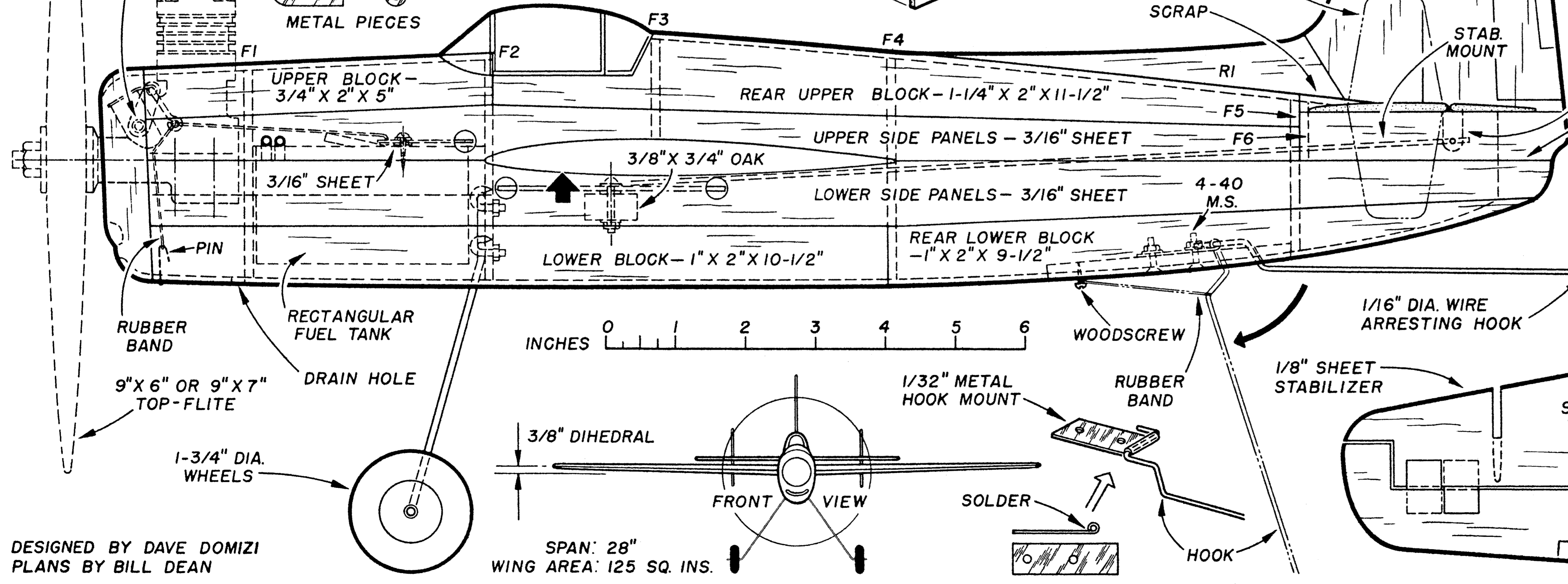
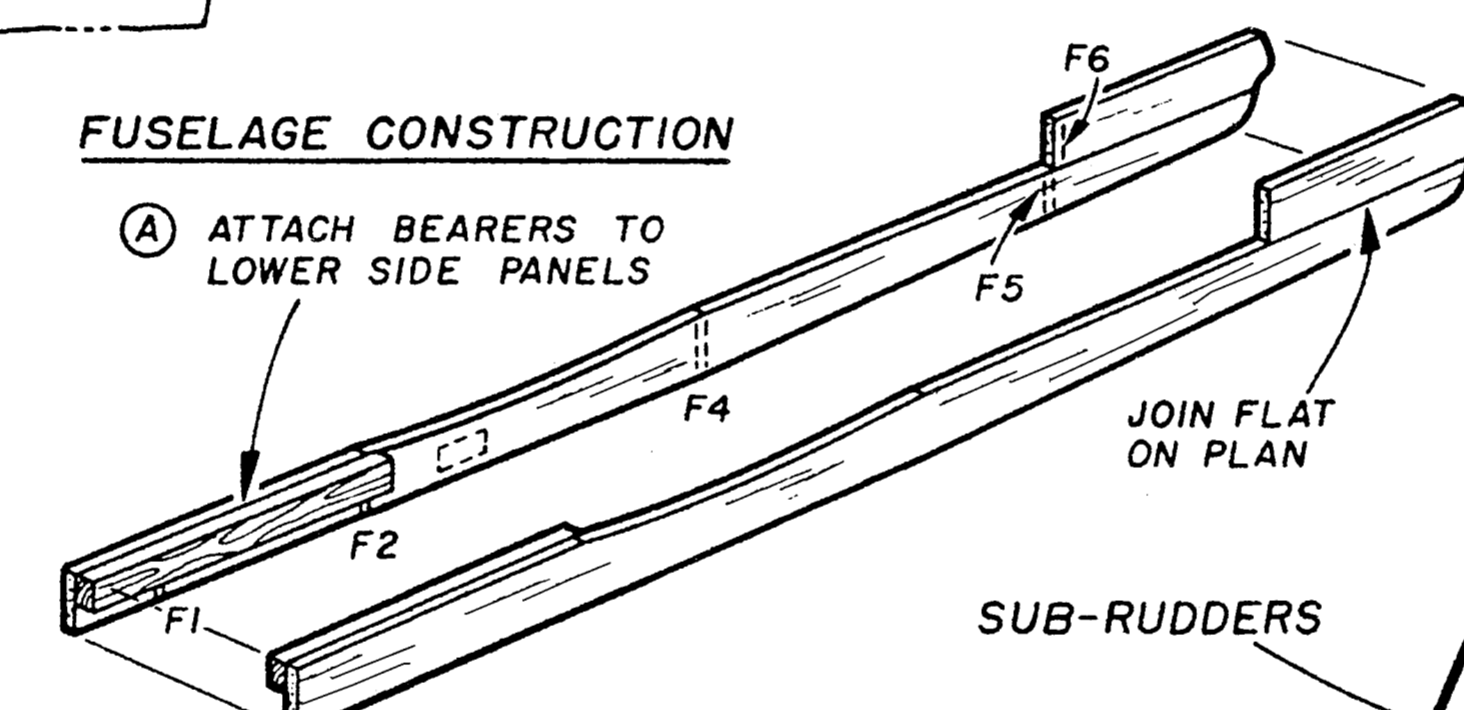


- (B) JOIN SIDES WITH F1 AND F2
- (C) PULL IN SIDES AT REAR AND ADD FORMERS F4, F5 AND F6
- (D) INSTALL L.G., MOTOR, FUEL TANK, STAB. AND CONTROL SYSTEM
- (E) ADD WING, F3, LEAD-OUT WIRES AND MOTOR CONTROL
- (F) FIT UPPER SIDE PANELS - AND UPPER AND LOWER BLOCKS
- (G) ADD COWL, ARRESTING HOOK ASSEMBLY AND RUDDER



FULL SIZE PLANS AVAILABLE. SEE PAGE 50.