

1/16" SHEET TOP & BOTTOM

1/8" PLY L.E. BRACE

Rx HATCH

1/16 PLY SWITCH SUPPORT

L.E. FROM 1 1/4" x 1/2" Balsa

BATTERY/TIP WEIGHT (3 oz)

R1

R2

R3

R4

R5

R6

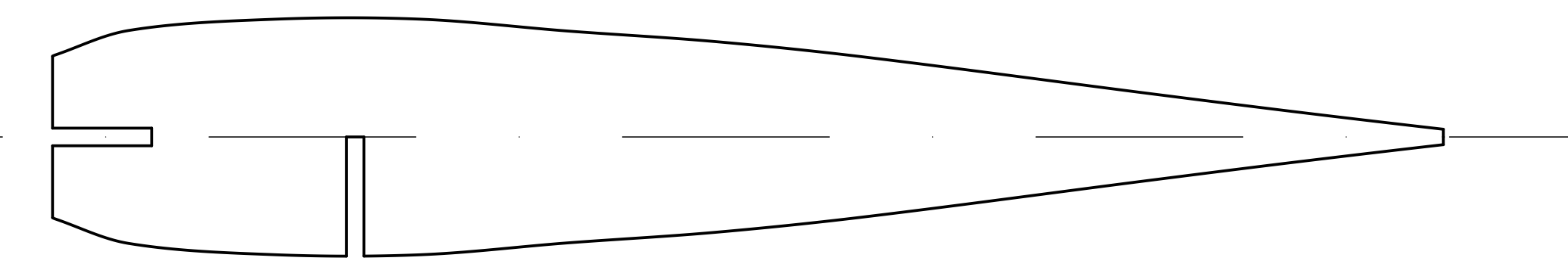
R7

1/16" x 1/4" CAP STRIPS

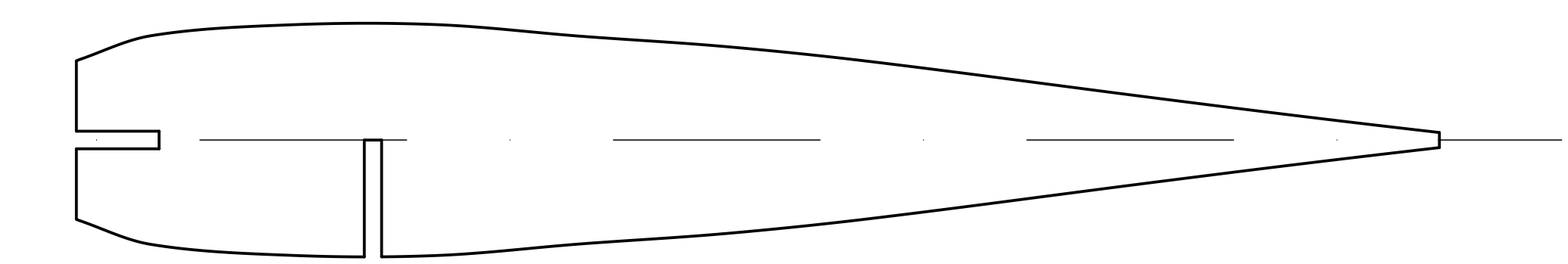
3/16" T.E. EXTENSIONS

1/16" CENTRE SECTION SHEETING TOP & BOTTOM

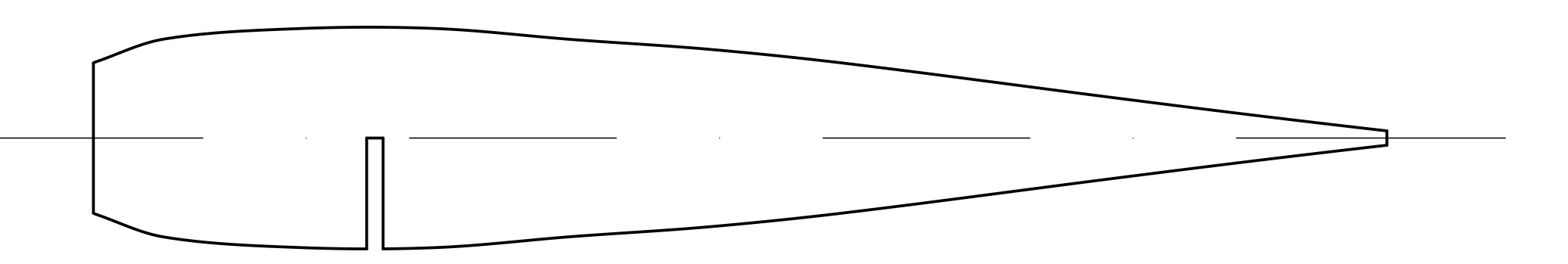
1/16" x 3/4" Balsa T.E.



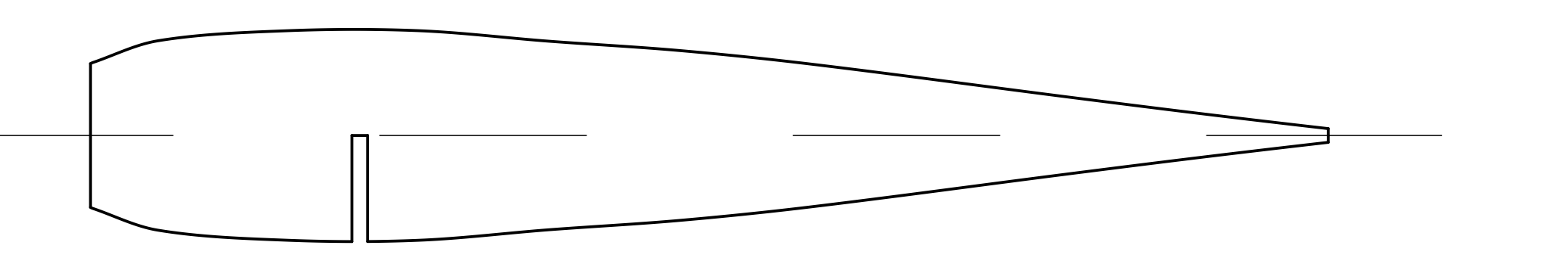
R1 - 2 OFF - 1/8" Balsa



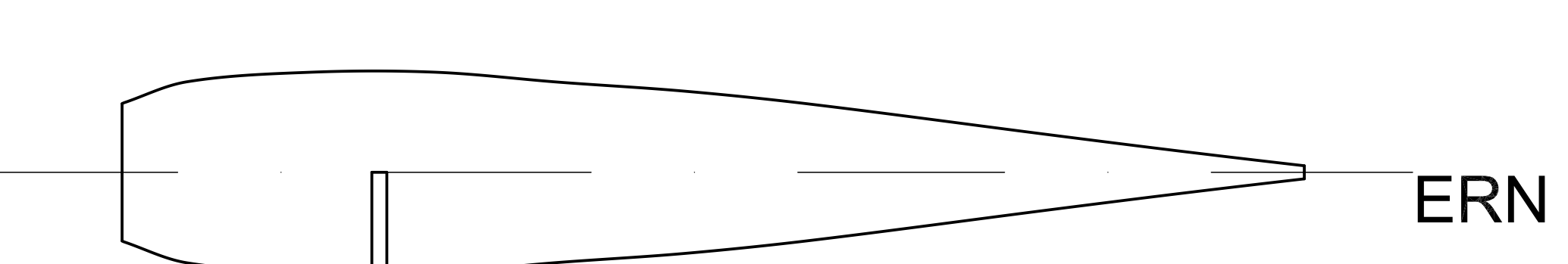
R2 - 2 OFF - 1/16" Balsa



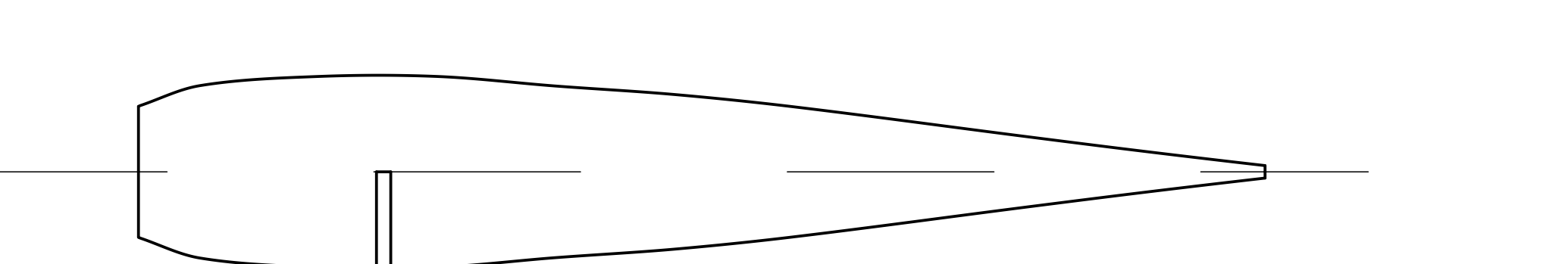
R3 - 2 OFF - 1/16" Balsa



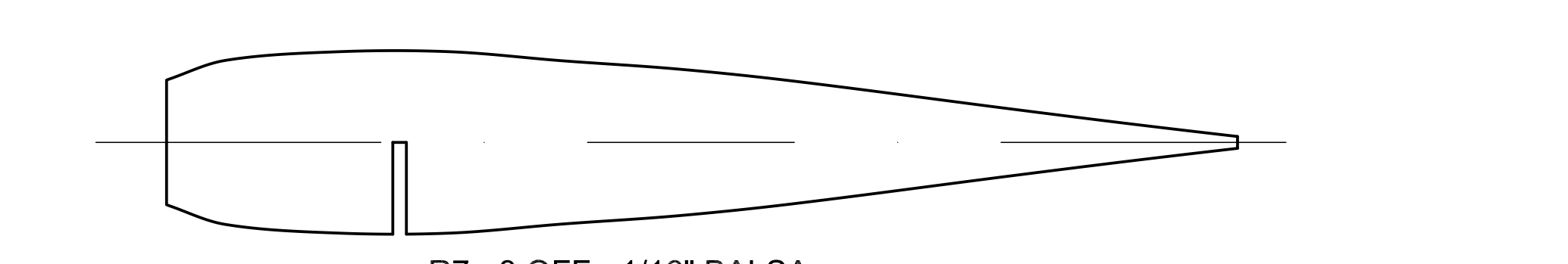
R4 - 2 OFF - 1/16" Balsa



R5 - 2 OFF - 1/16" Balsa

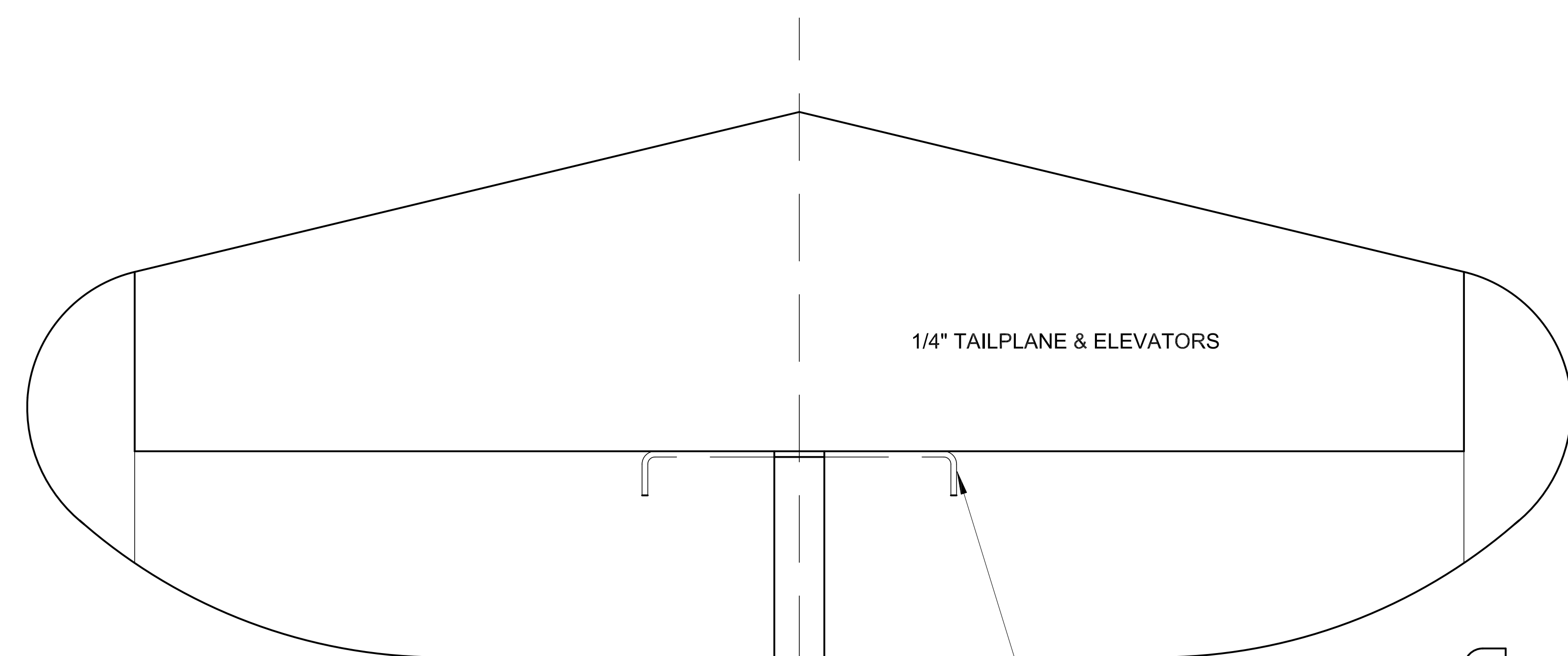
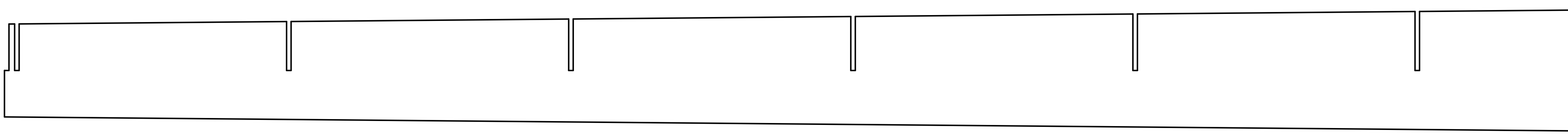


R6 - 2 OFF - 1/16" Balsa



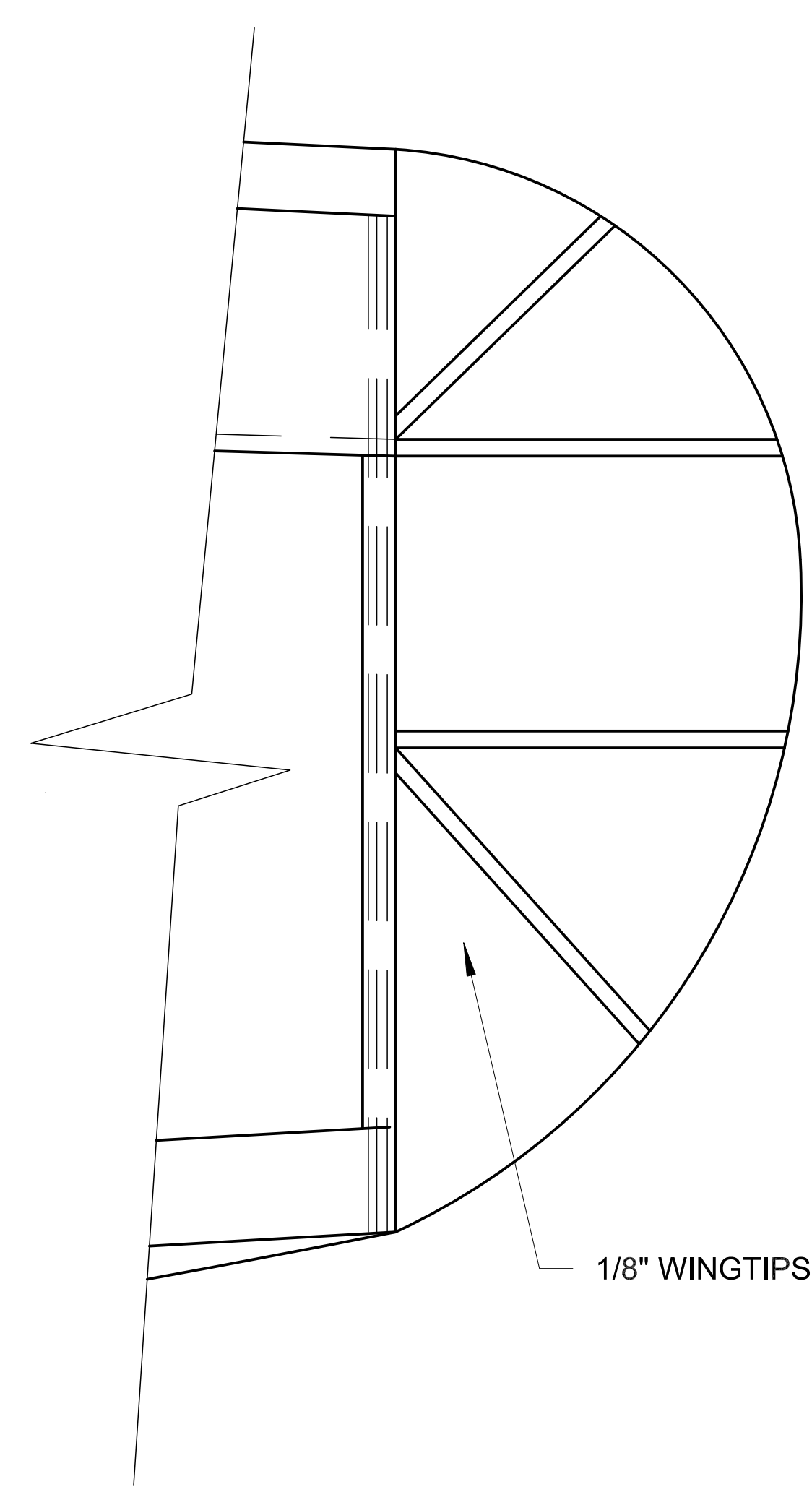
R7 - 3 OFF - 1/16" Balsa

1/8" HARD Balsa SPARS



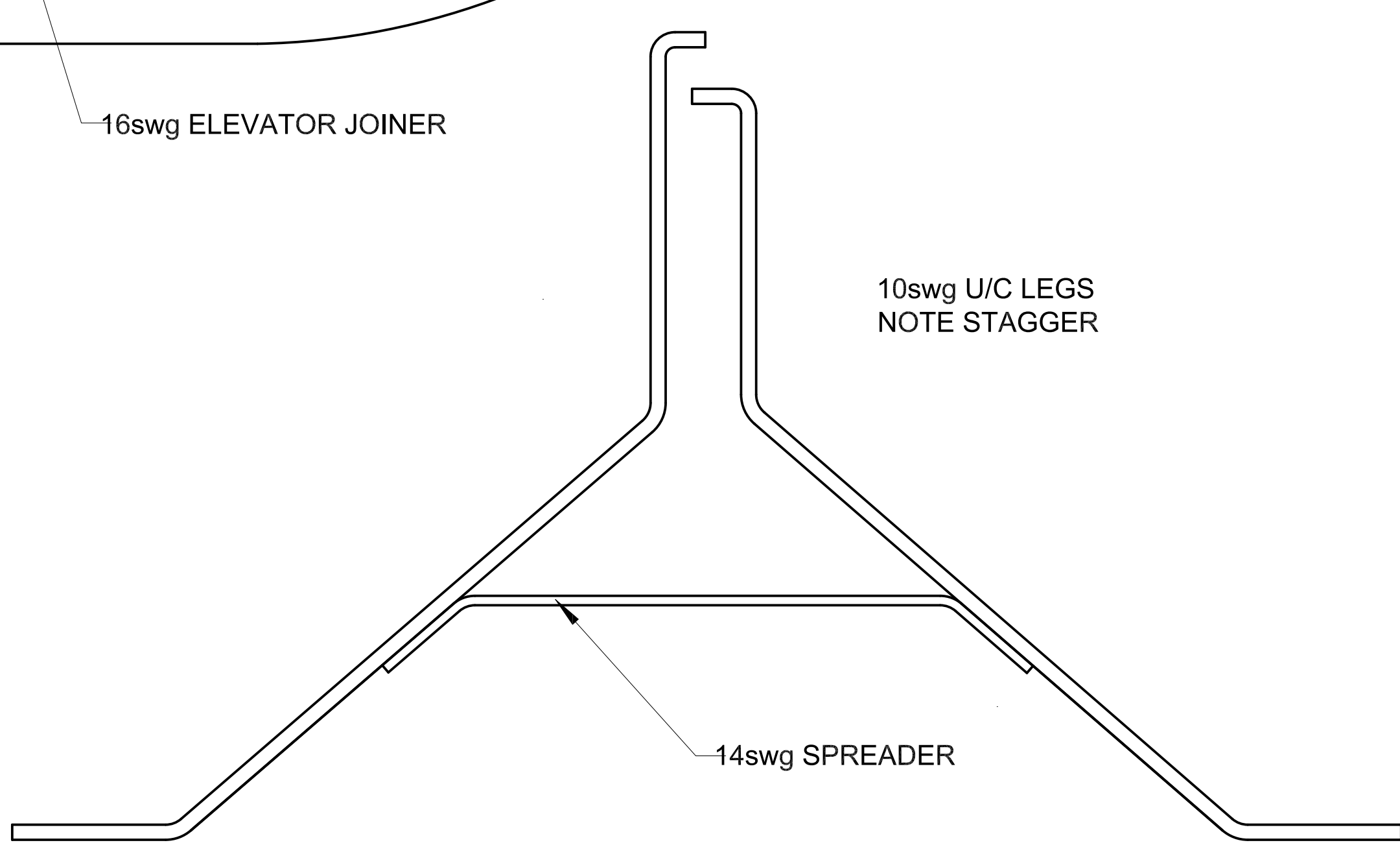
1/4" TAILPLANE & ELEVATORS

16swg ELEVATOR JOINER

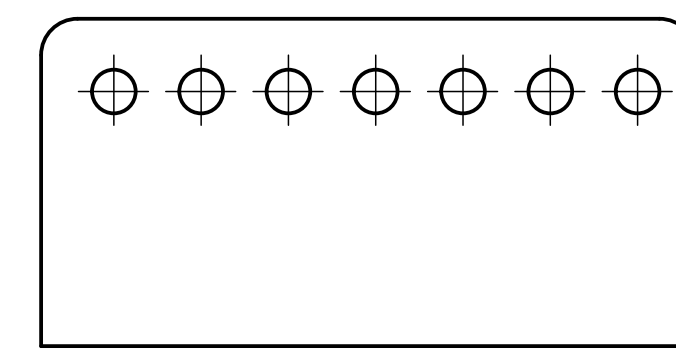


1/8" WINGTIPS

10swg U/C LEGS
NOTE STAGGER



14swg SPREADER



LINE GUIDE-2mm ALUMINIUM/ 1/8" PLY

WYVERN

ERN